



LEAPTON
SOLAR

Monocrystalline

Polycrystalline

LP182*182-M-72-MH

Rated Power 530-550W



MBB Cell
New circuit design, lower internal current, lower internal resistance loss.



Low Light Features
Higher performance under low light environment.



Higher Output Power
Module adopts 144 pcs of 182*182mm half cells, the maximum power can reach 550W.



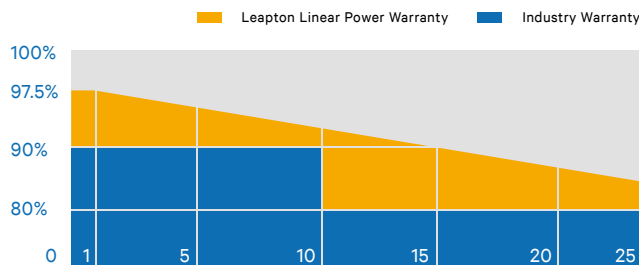
PID Protection
Ensure the attenuation probability caused by PID phenomenon is minimized.



Harsh Environmental Adaptability
Strict salt spray and ammonia corrosion test by TUV Nord.



Load Capacity
Mechanical load tests including wind load 2400 Pa and snow load 5400 Pa done by TUV Nord.



*J-PEC Product



IEC 61215-2: 2016
IEC 61730-2: 2016

NGUYEN VINH TIEN CO., LTD

Add: B11, Tan Phong Residential Area, Quarter 7, Tan Phong Ward, Bien Hoa City, Dong Nai Pro.

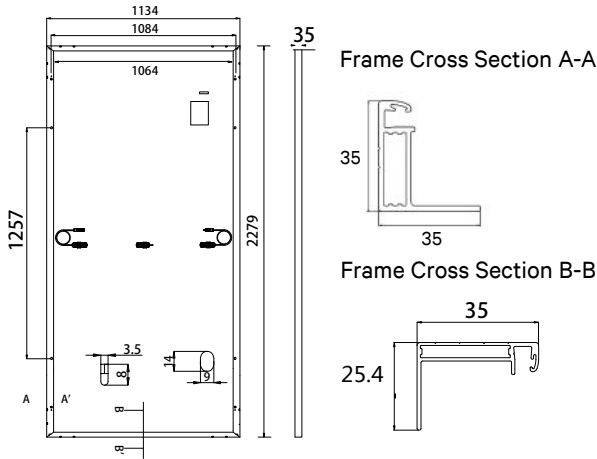
Tel: +842513 680968

Fax: +842513 680421

Email: nguyenvinhvien2013@gmail.com

Website: www.solar.net.vn

MECHANICAL DIAGRAMS



SPECIFICATIONS

| | |
|------------------------|--|
| Weight | 29kg |
| Dimensions | 2279mm*1134mm*35mm |
| Cell Dimensions | 182*182mm |
| Cell Amount | 72*2 pcs |
| Maximum System Voltage | 1500V |
| Junction Box | IP68 |
| Frame | Aluminum Alloy |
| Cable | 4mm ² , Landscape: N 1400mm/P 1400mm Portrait: N 200mm/P 300mm |
| Connector | MC4 compatible |
| Application Level | Class A |

ELECTRICAL PARAMETERS AT STC

| | | | | | |
|-----------------------|--------|--------|--------|--------|--------|
| Power | 530W | 535W | 540W | 545W | 550W |
| Open Circuit Voltage | 49.00V | 49.20V | 49.40V | 49.60V | 49.80V |
| Short Circuit Current | 13.76A | 13.81A | 13.87A | 13.93A | 13.99A |
| Maximum Power Voltage | 40.80V | 41.00V | 41.20V | 41.40V | 41.60V |
| Maximum Power Current | 13.00A | 13.05A | 13.11A | 13.17A | 13.23A |
| Module Efficiency | 20.5% | 20.7% | 20.9% | 21.1% | 21.3% |

* Under Standard Test Conditions (STC) of irradiance of 1000 W/m², spectrum AM 1.5 and cell temperature of 25°C.

ELECTRICAL PARAMETERS AT NMOT

| | | | | | |
|-----------------------|--------|--------|--------|--------|--------|
| Power | 395W | 399W | 402W | 406W | 410W |
| Open Circuit Voltage | 45.90V | 46.10V | 46.30V | 46.40V | 46.60V |
| Short Circuit Current | 11.09A | 11.13A | 11.18A | 11.23A | 11.28A |
| Maximum Power Voltage | 38.00V | 38.20V | 38.40V | 38.60V | 38.80V |
| Maximum Power Current | 10.40A | 10.44A | 10.49A | 10.54A | 10.58A |
| Module Efficiency | 15.3% | 15.4% | 15.6% | 15.7% | 15.9% |

* Under Nominal Module Operating Temperature (NMOT), irradiance of 800 W/m², spectrum AM 1.5, ambient temperature 20°C, wind speed 1 m/s.

TEMPERATURE CHARACTERISTICS

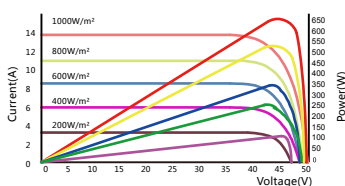
| | | | |
|-------------------------|-----------|--------------------------|-----------|
| NMOT | 41±3°C | Temp Coefficient of ISC | +0.05%/°C |
| Temp Coefficient of VOC | -0.28%/°C | Temp Coefficient of Pmax | -0.36%/°C |

PACKING CONFIGURATION

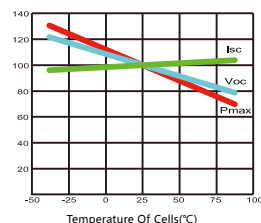
| | | | |
|---------------------|---|----------------------|------------|
| Modules/Pallet | 31 Pieces | Modules/40'Container | 620 Pieces |
| Packing Description | 20 Pallets, Total=(31+31)x10=620 Pieces | | |

CHARACTERISTICS

LP182*182-M-72-MH-530W



LP182*182-M-72-MH-530W



MAXIMUM RATING

| | |
|-----------------------|---------------|
| Output Tolerance | 0~+5W |
| Operating Temperature | -40°C~+85°C |
| Wind Load/Snow Load | 2400pa/5400pa |
| Fuse Current | 25A |



NGUYEN VINH TIEN CO., LTD

Add: B11, Tan Phong Residential Area, Quarter 7, Tan Phong Ward, Bien Hoa City, Dong Nai Pro.

Tel: +842513 680968

Fax: +842513 680421

Email: nguyenvinhvien2013@gmail.com

Website: www.solar.net.vn